

INSTRUCTIONS FOR HUMIDITY CONTROL SWITCH HS86-1005

1. Introduction

This humidity control switch HS86-1005 can be used in the circuits of humidifying or dehumidifying equipments. It is very desirable when using it to the humidity controlling circuits on the central conditioning installation thus making it widely use in the hotels, business offices and other places where humidity control seems necessary.

2. Specifications:

Description:	Humidity controller
Model No:	HS86-1005
Range of Control:	10% to 95% RH
Control Functions:	on/off control
Differentia l:	Average 4% RH. Max 8% RH.
Accuracy of adjusting:	5% RH(Adjusting point: 60% RH)

Note : The tolerant errors out of the adjusting point are 3% RH when decreasing or increasing every 10% RH.

Electrical Specifications:

Terminals		Between COM. and NC.		Between COM and NO	
Load	Voltage	120V/AC	240V/AC	120V/AC	240V/AC
Full Load		10.0A	5.0A	4.4A	2.2A
Locke Rotor		45.0A	22.5A	26.5A	13.2A
Resistance Load		12.0A	6.0A	6.0A	3.0A

3. Cautions for installation:

- 3-1. Install the switch at a position where air changing is good.
- 3-2. Avoid installing the switch forms the part of a machine, where drastic vibration exists.
- 3-3. Avoid installing the switch from the part of a machine, where night temperature exists.
- 3-4. Avoid installing the switch form the place where the sun ray directly shoots at.
4. Installation (See Figure1, 2, 3).
 - 4-1. Remove out the setting knob.
 - 4-2. Loosen the covering screw.
 - 4-3. Refer to the holes made on the chassis in the figure, fix it upon the machine or the wall.
 - 4-4. Connect wires according to the wiring diagram.
 - 4-5. Cover back and tight the covering screw.
 - 4-6. Install the setting knob, and turn to desired scales of the humidity.

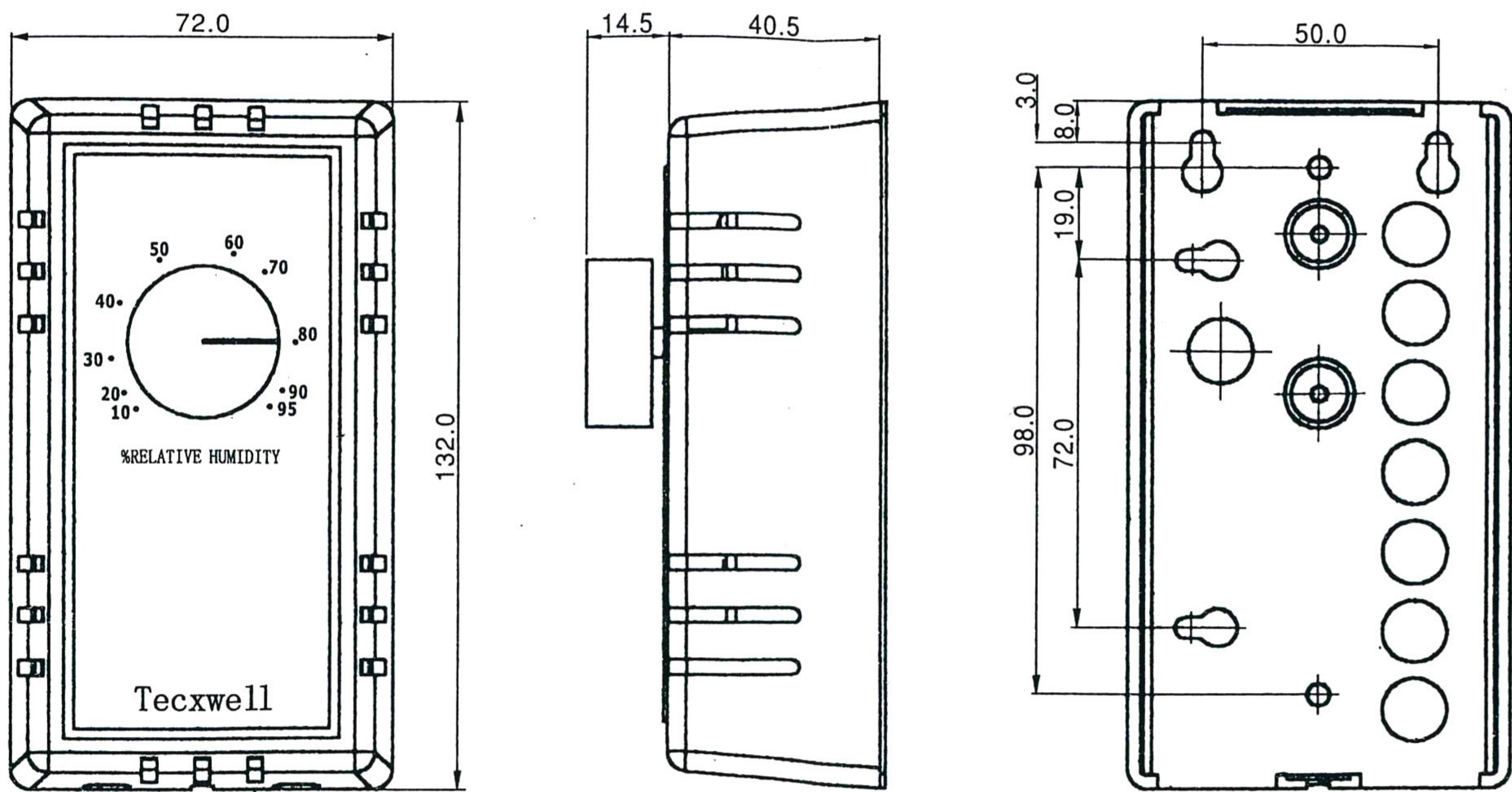


FIG. 1 DIMENSIONS IN MM

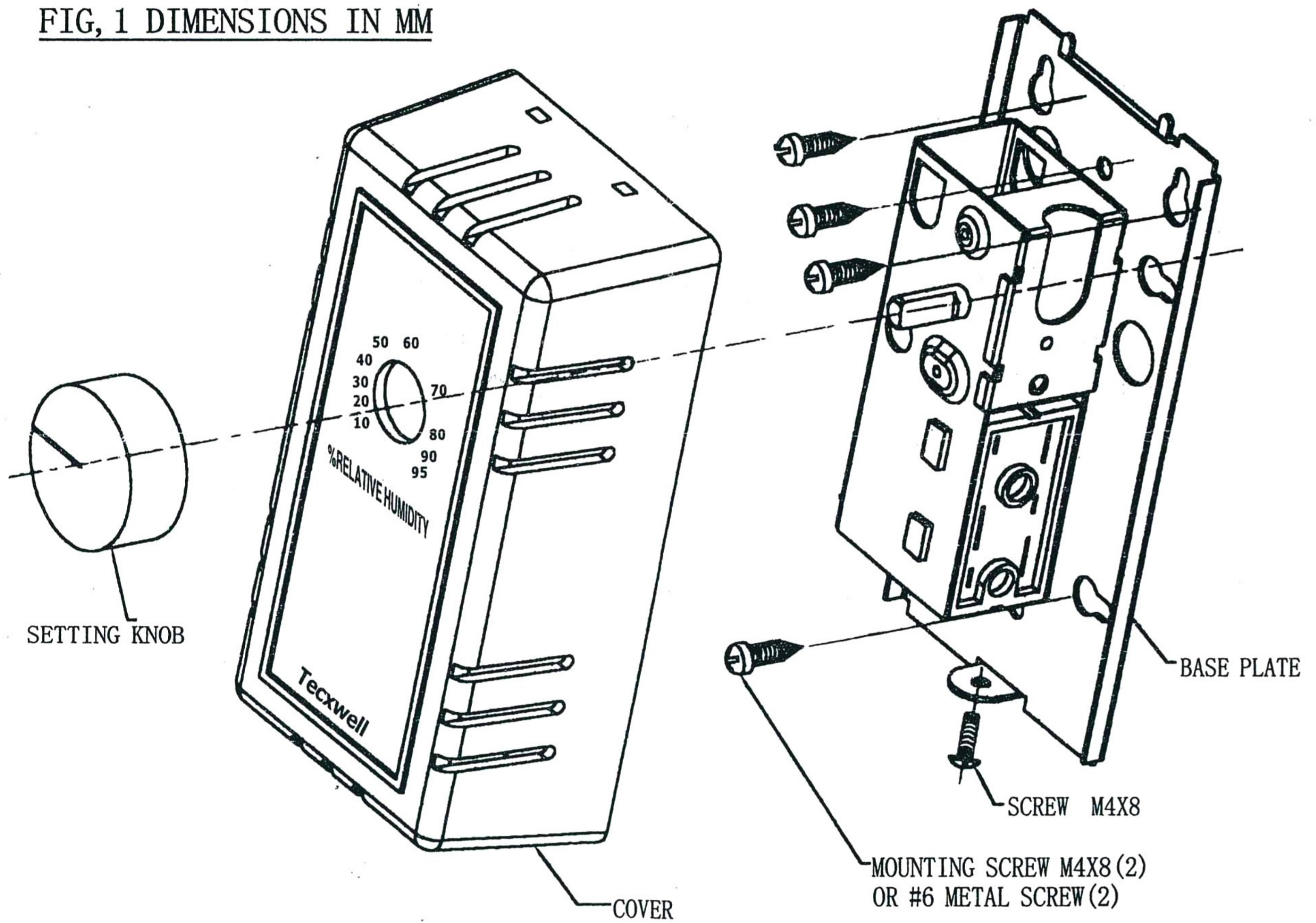
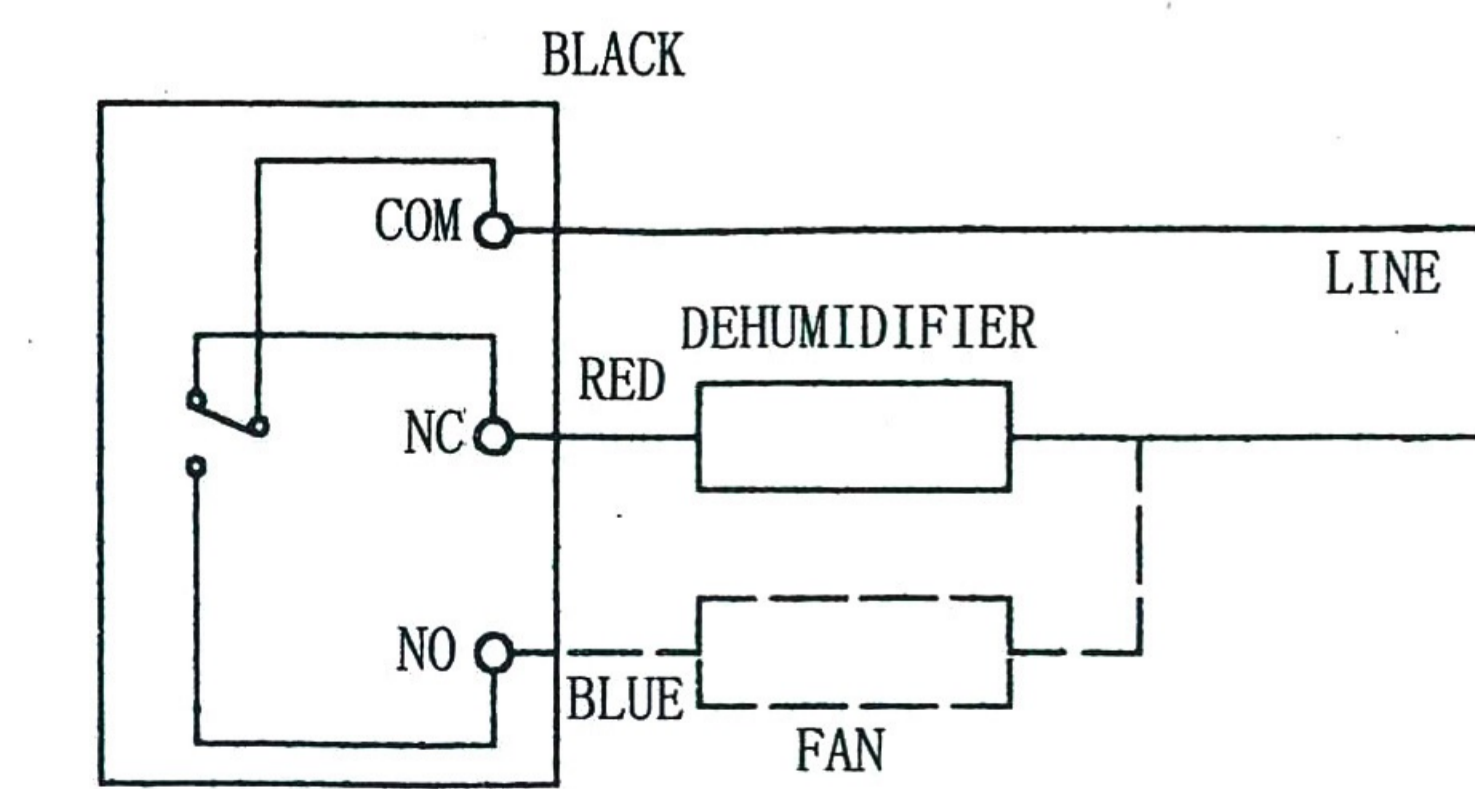


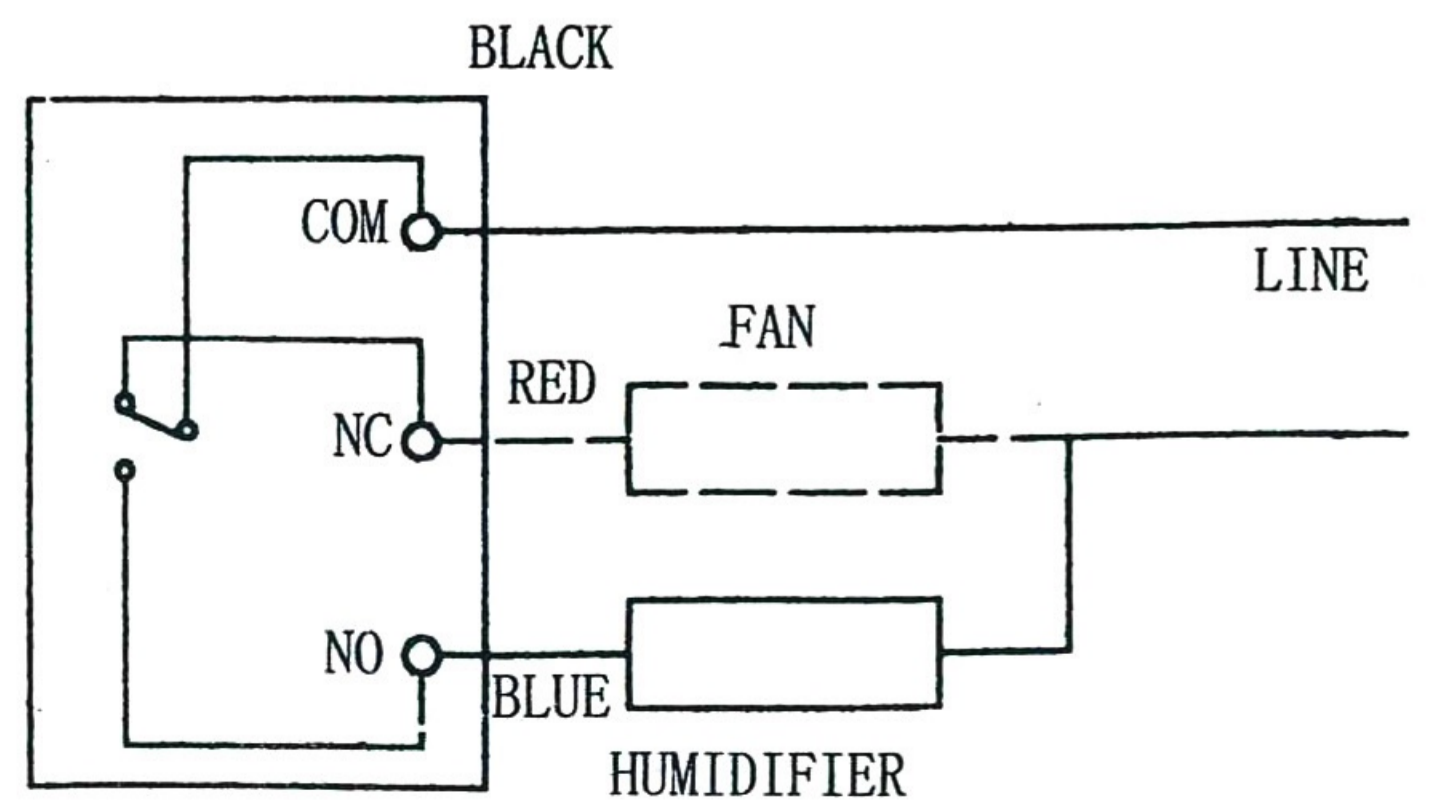
FIG. 2 INSTALLATION



HS86-1005

WIRING FOR DEHUMIDIFICATION

FIG. 3 WIRING



HS86-1005

WIRING FOR HUMIDIFICATION