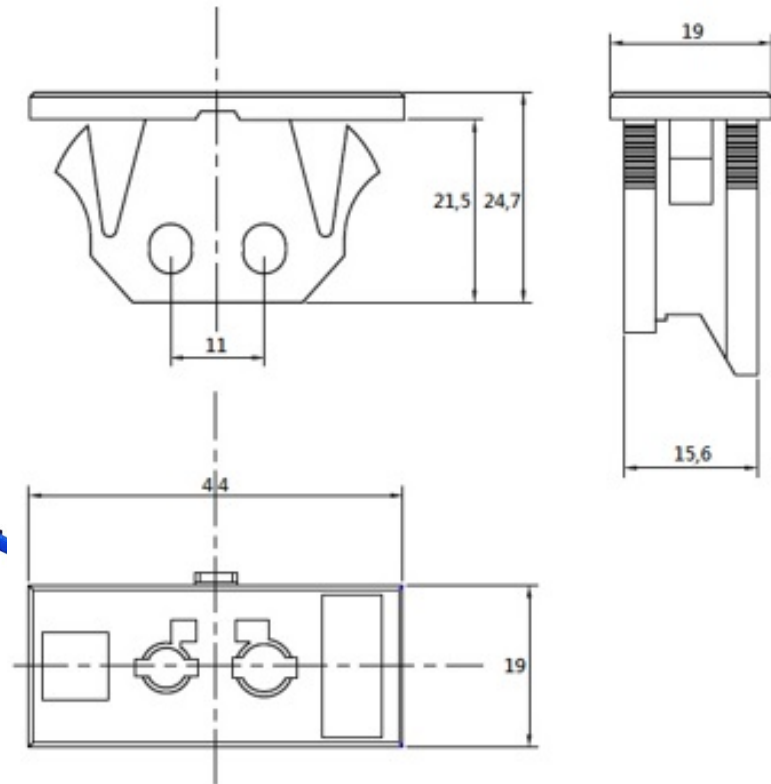


# Type K Female Panel Mount Thermocouple Connector

Model No. PF5-K

## ■ Application

- Building Construction
- Environmental Quality
- Petrochemical Industry
- Industrial storage tanks
- Laboratory
- Automation
- Electrical
- Storage



## ■ Specification

- ✓ Compensating alloy used in connector: Chrome-nickel alloy(+) / Aluminum Nickel Alloy(-)
- ✓ Body Housing Material: Nylon PA66
- ✓ Housing Color: Yellow
- ✓ Max. Temperature: 200 °C
- ✓ Weigh: 13g
- ✓ Features: 1) Round hole and pin hole are in one panel jacks connector;  
2) Snap-in design for fast installation to jacket panels